	EQUIPAGGIAMENTI TECNICI LAVAGGIO	UGELLO ROTANTE ROTATING NOZZLE UR50	① ②	<div style="border: 2px solid black; padding: 2px; display: inline-block;">4</div>
			29/09/05	



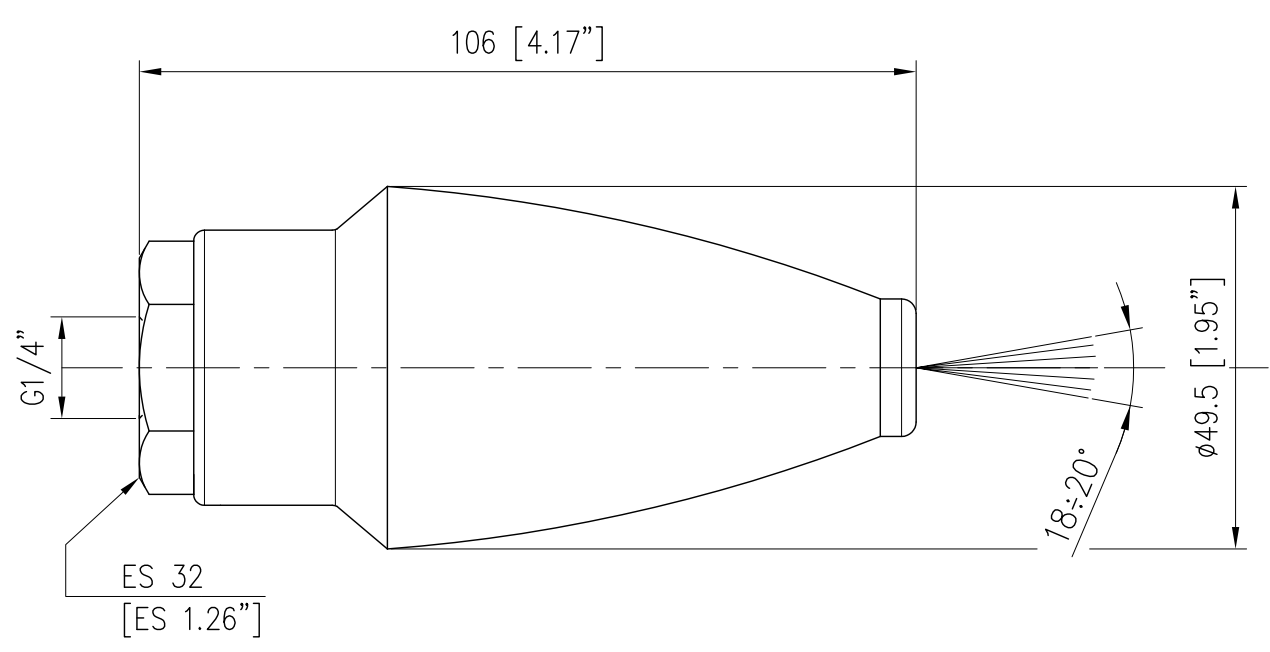
- ROBUSTA COSTRUZIONE IN ACCIAIO INOX.
STRONG STAINLESS STEEL STRUCTURE.
- SEDE E UGELLO IN CARBURO DI TUNGSTENO AD ALTISSIMA RESISTENZA.
HIGHLY SHOCK-RESISTANT TUNGSTEN CARBIDE SEAT AND NOZZLE.

SPECIFICHE TECNICHE
SPECIFICATIONS

- PRESSIONE NOMINALE <i>RATED PRESSURE</i>	500 bar – 50 MPa (7000 psi)
- TEMPERATURA MASSIMA <i>MAX WORKING TEMPERATURE</i>	90° C (194 °F)
- PESO <i>WEIGHT</i>	655 gr. (23.1 oz.)

MISURE D'INGOMBRO
OVERALL DIMENSIONS

CODICE <i>CODE</i>	FATTORE DI PORTATA <i>CAPACITY SIZE</i>
25.1750.40	F.P. 04
25.1750.45	F.P. 045
25.1750.50	F.P. 05
25.1750.55	F.P. 055
25.1750.60	F.P. 06
25.1750.65	F.P. 065
25.1750.70	F.P. 07



106 [4.17"]

G1/4

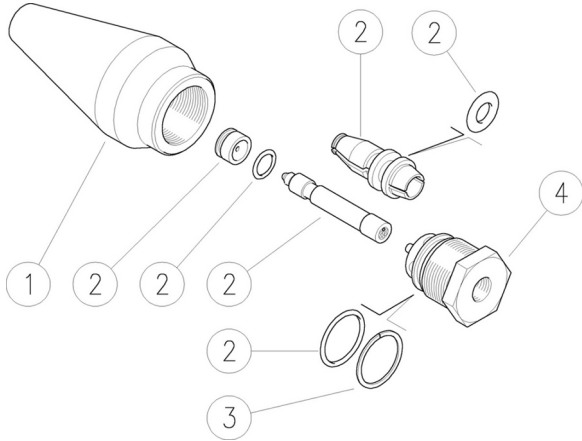
ES 32
[ES 1.26"]

18-20°

ø49.5 [1.95"]

25.1750.40 UR50-04 Ug.rot.500bar, gial.sc.
 25.1750.45 UR50-045 Ug.rot.500bar, blu
 25.1750.50 UR50-05 Ug.rot.500bar, viol.ch.
 25.1750.55 UR50-055 Ug.rot.500bar, ros.sc.

25.1750.60 UR50-06 Ug.rot.500bar, ver.sc.
 25.1750.65 UR50-065 Ug.rot.500bar, cel.
 25.1750.70 UR50-07 Ug.rot.500bar, arancio

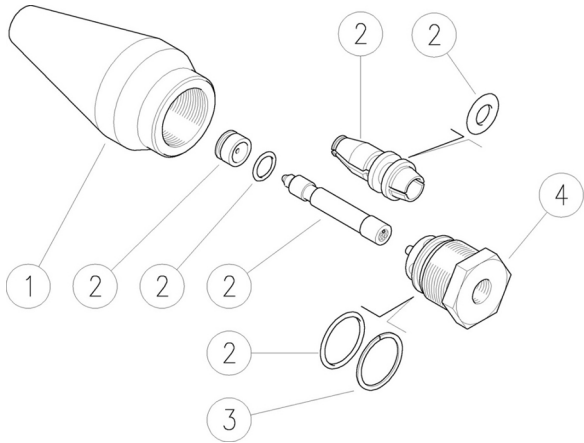


Pos.	Codice	Descrizione	Q.tà	K1	K2	K3	K4	
1	25.1751.51	Corpo UR50 inox	1					1
2	25.1763.24	Kit ric. UR50.04 (1)	1					1
2	25.1764.24	Kit ric. UR50.045 (2)	1					1
2	25.1765.24	Kit ric. UR50.05 (3)	1					1
2	25.1766.24	Kit ric. UR50.055 (4)	1					1
2	25.1767.24	Kit ric. UR50.06 (5)	1					1
2	25.1768.24	Kit ric. UR50.065 (6)	1					1
2	25.1769.24	Kit ric. UR50.07 (7)	1					1
4	25.1755.51	Raccordo G1/4F inox (1)	1					1
4	25.1910.51	Raccordo G1/4F inox (2)	1					1
4	25.1911.51	Raccordo G1/4F inox +An.OR (3)	1					1
4	25.1912.51	Raccordo G1/4F inox (4)	1					1
4	25.1913.51	Raccordo G1/4F inox (5)	1					1
4	25.1914.51	Raccordo G1/4F inox (6)	1					1
4	25.1915.51	Raccordo G1/4F inox (7)	1					1

(1) 25.1750.40 (2) 25.1750.45 (3) 25.1750.50 (4) 25.1750.55 (5) 25.1750.60
 (6) 25.1750.65 (7) 25.1750.70

- 25.1750.40 UR50-04 Rotat.nzl,500bar, d.yell.
- 25.1750.45 UR50-045 Rotat.nzl,500bar, blue
- 25.1750.50 UR50-05 Rotat.nzl,500bar, l.purple
- 25.1750.55 UR50-055 Rotat.nzl,500bar, d.red

- 25.1750.60 UR50-06 Rotat.nzl,500bar, d.grn
- 25.1750.65 UR50-065 Rotat.nzl,500bar, l.blue
- 25.1750.70 UR50-07 Rotat.nzl,500bar, orange



Pos.	P/N	Description	Q.ty	K1	K2	K3	K4	
1	25.1751.51	Housing -UR50, Sst.	1					1
2	25.1763.24	Spares kit -UR50.04 (1)	1					1
2	25.1764.24	Spares kit -UR50.045 (2)	1					1
2	25.1765.24	Spares kit -UR50.05 (3)	1					1
2	25.1766.24	Spares kit -UR50.055 (4)	1					1
2	25.1767.24	Spares kit -UR50.06 (5)	1					1
2	25.1768.24	Spares kit -UR50.065 (6)	1					1
2	25.1769.24	Spares kit -UR50.07 (7)	1					1
4	25.1755.51	Coupling, 1/4 F Bsp Sst. (1)	1					1
4	25.1910.51	Coupling, 1/4 F Bsp Sst. (2)	1					1
4	25.1911.51	Coupling, 1/4 F Bsp Sst. +O-ring (3)	1					1
4	25.1912.51	Coupling, 1/4 F Bsp Sst. (4)	1					1
4	25.1913.51	Coupling, 1/4 F Bsp Sst. (5)	1					1
4	25.1914.51	Coupling, 1/4 F Bsp Sst. (6)	1					1
4	25.1915.51	Coupling, 1/4 F Bsp Sst. (7)	1					1

- (1) 25.1750.40 (2) 25.1750.45 (3) 25.1750.50 (4) 25.1750.55 (5) 25.1750.60
- (6) 25.1750.65 (7) 25.1750.70

P.A. SpA EQUIPAGGIAMENTI TECNICI DEL LAVAGGIO

Via Milano, 13 42048 Rubiera - (RE) ITALY
Tel +39 0522 623611 (ric aut) - Fax +39 0522 629600
Info@pa-etl.it - www.pa-etl.it

COMPANY WITH QUALITY MANAGEMENT
SYSTEM CERTIFIED BY DNV
= ISO 9001:2008 =